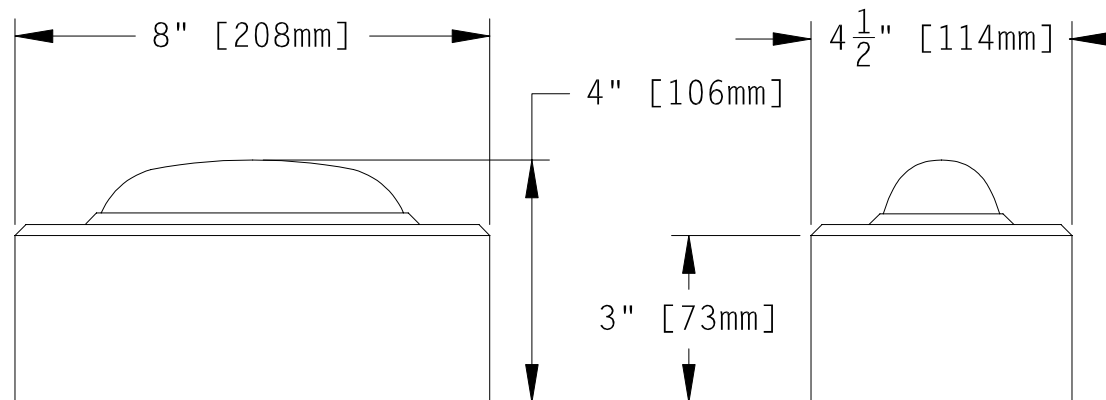




5 Wisconsin Ave.  
Norwich, CT 06360  
Tel. (860) 887-4550  
Fax (860) 887-4534  
[www.lamphead.com](http://www.lamphead.com) (Product)  
[www.nutron-mfg.com](http://www.nutron-mfg.com) (Company)

## 4825 Series Rectangular Surface Remote



**Construction:** Steel bezel and Housing w/ Polycarbonate lens.

**Standard Colors:** Powder coated White / Black ( Custom colors available consult factory for details)

**Lamping:** *Unit has the capacity to accept one or two of the lamping options below*

Single or Double Contact Bayonet Base

6, 12v Wedge Base

6,12v Bi Pin Halogen

**Options:** Louvered Bezel (vertical or horizontal ), Brushed aluminum Faceplate, Tamperproof screws